

CRUX

5-Cup Coffee Maker Instruction Manual

Styled for Life
Designed & Engineered in New York City

Table of Contents

Important Safeguards.....	2-4
Additional Important Safeguards	5-6
Notes on the Plug	7
Notes on the Cord	7
Plasticizer Warning.....	7
Electric Power.....	7
Getting To Know Your 5-cup coffee maker	8
Carafe Safety Precautions	9
Coffee Yield	9
Permanent Coffee Filter Basket	9
Before Using for the First Time	10
Brewing Coffee Instructions	11
Pause and Serve	12
Brewing a Second Carafe of Coffee	13
Hints for Great Tasting Coffee	14
User Maintenance Instructions.....	14
Care & Cleaning Instructions	15
Descaling	16
Storing Instructions.....	17
Warranty	18

IMPORTANT SAFEGUARDS

When using electrical appliances, basic safety precautions should always be followed including the following:

1. READ ALL INSTRUCTIONS.

2. Do not touch hot surface. Use handles or knobs only.
3. This appliance is not intended for use by persons (including children) with reduced physical, sensory or mental capabilities, or lack of experience and knowledge, unless they have been given supervision or instruction concerning use of the appliance by a person responsible for their safety.
4. Close supervision is necessary when any appliance is used by or near children.
5. In order to minimize the risk of property damage, never place the Coffee Maker under cabinets. Make sure the area several feet above the Coffee Maker is clear from all furniture or cabinetry.
6. Do not open top cover while coffee is brewing. Scalding may occur if the cover is lifted or removed during the brewing cycle.
7. Do not use outdoors.
8. Unplug unit from outlet when either the appliance or display clock is not in use, and before cleaning. Allow unit to cool before putting on or taking off parts, and before cleaning.
9. To protect against electrical shock, do not immerse cord, plugs, or appliance in water or other liquids.

10. Do not operate any appliance with a damaged cord or plug, or after the appliance malfunctions, or has been damaged in any manner. Return appliance to the nearest authorized service facility for examination, repair or adjustment.

**NOTE: DO NOT ATTEMPT TO REPAIR THE UNIT YOURSELF.
THIS WILL VOID THE WARRANTY.**

11. The use of accessory attachments not recommended by the appliance manufacturer may result in fire, electric shock or injury to persons.
12. Never move the appliance by pulling the cord. Do not let the cord hang over the edge of a table or counter or touch hot surfaces.
13. Stand the appliance on a table or flat surface.
14. Do not use a cracked glass carafe or a carafe having a loose or weakened handle.
15. Only use the glass carafe with this appliance. Handle with care as the glass may become hot.
16. Snap lid securely onto glass carafe before serving coffee.
17. Never use your Coffee Maker without water in it.
18. Do not place appliance on or near a hot gas or electric burner or in a heated oven.
19. The carafe is designed for use with this appliance. It must never be used on a range top.
20. Do not set hot glass carafe on a wet or cold surface.
21. Do not clean glass carafe with cleaners, steel wool pads, or other abrasive material.

22. Press the ON/OFF switch to turn the appliance OFF. Unplug the power cord from the electrical outlet when the appliance is not in use, left unattended, or when the carafe is empty.
23. Do not use this appliance for other than its intended use.
24. Scalding may occur if the lid is removed during the brewing cycles.
25. To reduce the risk of fire, do not mount unit over or near any portion of a heating or cooking appliance.
26. To reduce the risk of electric shock, do not mount over a sink.
27. To reduce the risk of fire, do not store anything directly on top of the appliance surface when the appliance is in operation.

FOR HOUSEHOLD USE ONLY
SAVE THESE INSTRUCTIONS

ADDITIONAL IMPORTANT SAFEGUARDS

WARNING: This appliance generates heat and escaping steam during use. Proper precautions must be taken to prevent the risk of burns, fires, or other injury to persons or damage to property.

1. All users of this appliance must read and understand this Instruction Manual before operating or cleaning this appliance.
2. The cord to this appliance should be plugged into a 120V AC electrical outlet only.
3. Use water only in this appliance! Do not put any other liquids or food products in this appliance. Do not mix or add anything to the water placed in this appliance, except as instructed in the User Maintenance Instructions to clean the appliance.
4. DO NOT attempt to move an appliance containing hot liquids. Allow appliance to cool completely before moving.
5. Keep appliance at least 4 inches away from walls or other objects during operation. Do not place any objects on top of appliance while it is operating. Place the appliance on a surface that is resistant to heat.
6. If this appliance begins to malfunction during use, immediately unplug the cord. Do not use or attempt to repair the malfunctioning appliance.

7. If this appliance falls or accidentally becomes immersed in water or any other liquid, unplug it immediately. Do not reach into the water! Do not use this appliance after it has fallen into or has become immersed in water.
8. The appliance must be left to cool down sufficiently before adding more water to avoid exposure to steam.
9. Always use fresh, cool water in your appliance. Warm water or other liquids, except as listed in cleaning section, may cause damage to the appliance.
10. DO NOT put carafe into a microwave oven.
11. DO NOT leave empty carafe on warming plate when appliance is turned ON, as the carafe may crack or become otherwise damaged.
12. The flow valve is located on the bottom of the removable filter holder and is activated when the carafe is removed. This design makes it possible for you to remove the carafe and pour a cup of coffee before the entire carafe is brewed.
13. **CAUTION:** To prevent injury when utilizing the auto pour and serve feature, replace carafe within 30 seconds of removing during brewing process.

SAVE THESE INSTRUCTIONS

NOTES ON THE PLUG

This appliance has a polarized plug (one blade is wider than the other). To reduce the risk of electric shock, this plug will fit in a polarized outlet only one way. If the plug does not fit fully into the outlet, reverse the plug. If it still does not fit, contact a qualified electrician. Do not modify the plug in any way.

NOTES ON THE CORD

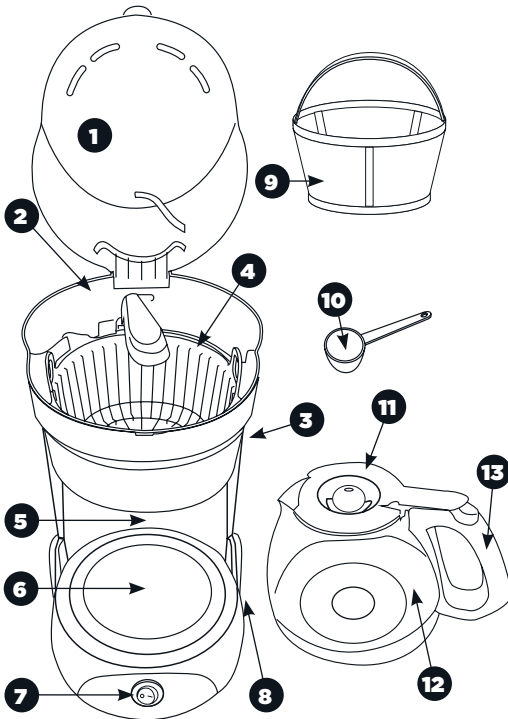
The provided short power-supply cord should be used to reduce the risk resulting from becoming entangled in or tripping over a longer cord. Do not use an extension cord with this product. Always plug directly into a wall outlet/receptacle.

ELECTRIC POWER

If the electrical circuit is overloaded with other appliances, your appliance may not operate properly. It should be operated on a separate electrical circuit from other appliances.

Getting To Know Your 5-Cup Coffee Maker

Product may vary slightly from illustration



1. Coffee Maker Lid
2. Water Tank
3. Water level indicator (not shown)
4. Removable Filter Basket
5. Pause and Serve Flow Valve (not shown)
6. Warming Plate
7. ON/OFF Switch
8. Cord Storage Polarized Plug (not shown)
9. Permanent Coffee Filter
10. Measuring scoop
11. Carafe Lid
12. Carafe
13. Carafe Handle

Carafe Safety Precautions

1. Do not use a cracked carafe or any carafe with a loose or weakened handle.
2. This carafe is designed to be used only on the keep warm plate of your Coffee Maker. Do not use in a conventional oven or on a stovetop.
3. To avoid breakage, handle carafe with care. Avoid impact. Glass will break as a result of impact. Use care when filling with water to avoid hitting faucet.
4. Do not place hot carafe on cool or wet surface. Allow carafe to cool before washing or adding liquids.
5. Do not set empty carafe on a hot heating surface. Do not clean with steel wool pads, abrasive cleanser, or any other materials that may scratch.
6. Do not bump or scratch the carafe. Remove carafe from the keep warm plate to avoid burning or scorching. Never operate the Coffee Maker with a carafe that has boiled dry.
7. Discard carafe if it is cracked, scratched, or heated while empty for an extended period of time.

Coffee Yield

5 cup coffee maker: 5, 5oz cups

NOTE: A 5-oz.cup is the American industry standard and is used by most Coffee Maker manufacturers. To fill your favorite over-sized mug, fill Coffee Maker reservoir with enough water for 3 to 4 cups (15 to 20 ounces).

NOTE: The amount of brewed coffee will always be less than the amount of water placed into the water reservoir; as much as 10% may be absorbed by coffee grounds and steam loss.

WARNING: TO AVOID THE RISK OF FIRE OR ELECTRIC SHOCK, DO NOT UNSCREW THE UNDER SIDE COVER. THERE ARE NO USER-SERVICEABLE PARTS INSIDE. REPAIR SHOULD BE DONE BY AUTHORIZED SERVICE PERSONNEL ONLY.

Permanent Coffee Filter Basket

The permanent coffee filter basket takes the place of disposable paper filters. Simply place the permanent coffee filter basket into the removable filter basket holder. Unfold and use handle to lift basket of used coffee grounds up and out of the Coffee Maker; fold handle down to close the water reservoir lid.

Before Using For The First Time

CAUTION: To protect against electrical shock, do not immerse the Coffee Maker or allow power cord to come into contact with water or other liquids.

1. Remove all packing material and labels from the inside and outside of the Coffee Maker. Place the unit on a flat, clean surface.
2. Before preparing coffee, thoroughly clean the glass carafe and lid, removable filter holder and permanent coffee filter in hot, sudsy water. Rinse and dry. Replace disassembled parts. See Care & Cleaning Instructions for a detailed description.
3. Clean the inside of the Coffee Maker by brewing 2 full carafes of water (see Brewing Coffee Instructions). Do not add the permanent coffee filter or ground coffee for this initial cleaning.

NOTE: At the end of the first cycle, allow 15 minutes for the unit to cool.

4. Brew a second carafe of fresh water.
5. Wait an additional 15 minutes to allow the unit to cool before brewing your first carafe of coffee.

Brewing Coffee Instructions

1. Lift to open the Coffee Maker lid. Fill carafe with cold water and pour into water reservoir at the back of the unit. The water level indicator can be easily viewed through the water gauge on the right side of the unit.

IMPORTANT: Before brewing, always check to make sure water level is past the 2 Cup line and add water if needed. Never exceed the MAX fill line.

NOTE: The amount of brewed coffee will always be less than the amount of water placed into the water reservoir; as much as 10% is absorbed by coffee grounds and filter.

2. Place empty carafe on the warming plate.
3. Place the permanent filter in the removable filter holder. Measure 1 level tablespoon of drip or regular grind coffee for each cup of coffee desired. For stronger or milder coffee, adjust amount of coffee to suit your taste.
4. Drop the filter holder down into the housing. Close the lid.
5. Plug Coffee Maker into a 120V AC electrical wall outlet.
6. Set the switch to the ON (-) position. The Coffee Maker will begin the brew cycle.

NOTE: To interrupt the brewing cycle at any time, set the switch to OFF (O). Remove plug from wall outlet.

7. Upon completion of the brew cycle, wait at least 1 minute until the brew dripping from the filter holder into the carafe has stopped. The carafe lid should be kept in place to facilitate safe serving and help keep coffee at proper serving temperature. Tilt the carafe slightly and pour hot coffee very slowly, so that the flow of the brewed coffee does not exceed the width of the spout.
8. Set the switch to OFF (O) when the carafe is empty or when unit is not in use; then remove plug from wall outlet.

Pause and Serve

1. If you wish to serve a cup of coffee before the brew cycle is completed, simply remove carafe from warming plate. Dripping will automatically cease. Return carafe to position on warming plate; dripping will resume.

CAUTION: To prevent injury when utilizing pause and serve feature, replace carafe within 30 seconds after removing during the brewing process.

2. After approximately 2 cups of coffee have been brewed, the carafe may be slowly removed and the coffee will stop dripping.
3. The flow valve is located on the bottom of the filter holder and is activated when the carafe is removed. This design makes it possible for you to remove the carafe and pour a cup of coffee before the entire carafe is brewed.

IMPORTANT: When replacing the filter holder, the flow valve must be properly inserted into the front hole of the machine, so that it can be seen as it sits on the top of the carafe lid.

4. When using this feature, make sure that the carafe is replaced under the filter holder within 30 seconds to prevent overflow.

Brewing a Second Carafe of Coffee

1. To brew another carafe of coffee, set the switch to the OFF (O) position, if not already off. Remove the plug from the wall outlet. It is recommended that the Coffee Maker be off and allowed to cool for 15 minutes between cycles.

CAUTION: Failure to allow Coffee Maker to cool sufficiently could cause hot steam and spray to escape when water is added to the water reservoir. The hot steam and spray can cause severe burns.

2. Lift the Coffee Maker lid and then lift and remove the permanent coffee filter; discard used coffee grounds, rinse.
3. Lift the removable filter holder up and out of the Coffee Maker.
4. Rinse the glass carafe and removable filter holder in cool, clean water.

IMPORTANT: Before brewing a second carafe, always check to make sure the water level is past the 2 cup line but never exceeds the MAX fill line. Add the desired amount of cold tap water into the water reservoir. Follow the instructions above for setting up the machine.

Hints for Great Tasting Coffee

- A clean Coffee Maker is essential for making great tasting coffee. Regular cleaning, as described in the Care & Cleaning Instructions and Descaling sections of this Instruction Manual is highly recommended.
- Always use fresh, cold water in your Coffee Maker.
- Finer grinds, promote a fuller extraction and provide rich, full-bodied coffee. Regular grinds will require slightly more coffee per cup to provide the strength of a finer grind.
- Store coffee in a cool, dry place. Once coffee has been opened, keep it tightly sealed in the refrigerator to maintain freshness.
- For optimum coffee flavor, buy whole beans and grind them finely just before brewing.
- Do not re-use coffee grounds since this will greatly impair coffee flavor.
- Reheating coffee is not recommended. Coffee is at its peak flavor immediately after brewing.
- Small oil droplets on the surface of brewed, black coffee is due to the extraction of oil from the coffee grounds. Oiliness may occur more frequently if heavily roasted coffees are used. Over extraction may also cause oiliness, indicating a need to clean your Coffee Maker.

User Maintenance Instructions

This Coffee Maker requires little maintenance. It contains no user-serviceable parts. Any servicing requiring disassembly other than cleaning must be performed by a qualified Coffee Maker repair technician.

Care & Cleaning Instructions

1. Always make sure Coffee Maker is unplugged and the keep warm plate is cool before attempting to clean.
2. After every use, remove the permanent coffee filter, discard used coffee grounds, rinse thoroughly.
3. Wash the removable filter holder and glass carafe in hot, sudsy water. If necessary, scrub the inside of the carafe lid with a soaped kitchen brush. The carafe, permanent filter and removable filter holder are all top- rack dishwasher safe. The reusable scoop is also dishwasher safe but it should be placed in the machine alongside the cutlery.

WARNING: To avoid breakage, handle carafe with care. Avoid impact. Glass will break as a result of impact. Use care when filling with water to avoid hitting the faucet.

4. Wipe the exterior with a damp cloth to remove superficial stains. For stubborn stains, use a nylon or plastic pad with a non-abrasive cleanser. Do not use metal scouring pads or abrasive cleansers.
5. Dry and replace disassembled parts. Make sure the removable filter holder is properly returned and fits back into the Coffee Maker
6. Close the lid.

Descaling

Special cleaning of your Coffee Maker is recommended at least once a month, depending on frequency of use and quality of water used in the Coffee Maker. If water in your area is especially hard, the following cleaning procedure should be performed every 2 weeks, since minerals in water can detract from the flavor of the coffee and possibly lengthen brew time.

1. Fill carafe with 1 part white vinegar to 3 parts cold water. Pour water and vinegar solution into the water reservoir.
2. Brew the vinegar solution until the carafe is half full.

NOTE: During cleaning, more steam will occur than during normal coffee brewing.

3. Set the switch to OFF (O) position to turn the Coffee Maker OFF. When liquid stops dripping from filter holder into the carafe, remove the carafe and allow liquid to cool for 15 minutes. When cooled, lift lid and pour liquid back into the water reservoir.
4. Close the lid. Return carafe to the keep warm plate.
5. BREW THE VINEGAR SOLUTION again, allowing all the cleaning solution to empty into the carafe. After dripping has stopped, discard contents of the carafe.
6. Allow Coffee Maker to cool for 15 minutes, run clean water through the coffee maker 3 times. Insert the clean permanent coffee filter into the removable filter holder before brewing.
7. Set the switch to OFF (O) position to turn the Coffee Maker OFF. Discard water in the carafe. Wash carafe, permanent coffee filter, and removable filter holder in hot sudsy water. Dry parts thoroughly.
8. When Coffee Maker has cooled, wipe exterior with a dry cloth.

Storing Instructions

1. Unplug Coffee Maker and allow it to cool.
2. Store Coffee Maker in its box or in a cool, dry place.
3. Never store Coffee Maker while it is still plugged in.

Limited Two-Year Warranty

SENSIO Inc. hereby warrants that for a period of **TWO YEARS** from the date of purchase, this product will be free from mechanical defects in material and workmanship, and for 90 days in respect to non-mechanical parts. At its sole discretion, SENSIO Inc. will either repair or replace the product found to be defective, or issue a refund on the product during the warranty period.

The warranty is only valid for the original retail purchaser from the date of initial retail purchase and is not transferable. Keep the original sales receipt, as proof of purchase is required to obtain warranty validation. Retail stores selling this product do not have the right to alter, modify, or in any way revise the terms and conditions of the warranty.

Exclusions:

The warranty does not cover normal wear of parts or damage resulting from any of the following: negligent use of the product, use of improper voltage or current, improper routine maintenance, use contrary to the operating instructions, disassembly, repair, or alteration by anyone other than qualified SENSIO Inc. personnel. Also, the warranty does not cover Acts of God such as fire, floods, hurricanes, or tornadoes.

SENSIO Inc. shall not be liable for any incidental or consequential damages caused by the breach of any express or implied warranty.

Apart from the extent prohibited by applicable law, any implied warranty of merchantability or fitness for a particular purpose is limited in time to the duration of the warranty. Some states, provinces or jurisdictions do not allow the exclusion or limitation of incidental or consequential damages, or limitations on how long an implied warranty lasts, and therefore, the above exclusions or limitations may not apply to you. The warranty covers specific legal rights which may vary by state, province and/or jurisdiction.

How To Obtain Warranty Service:

You must contact Customer Service at our toll-free number: 1-866-832-4843. A Customer Service Representative will attempt to resolve warranty issues over the phone. If the Customer Service Representative is unable to resolve the problem, you will be provided with a case number and asked to return the product to SENSIO Inc. Attach a tag to the product that includes: your name, address, daytime contact telephone number, case number, and description of the problem.

Also, include a copy of the original sales receipt. Carefully package the tagged product with the sales receipt, and send it (with shipping and insurance prepaid) to SENSIO Inc.'s address. SENSIO Inc. shall bear no responsibility or liability for the returned product while in transit to SENSIO Inc.'s Customer Service Center.

CRUX

For customer service questions or comments

1-866-832-4843

cruxkitchen.com

 [crux.kitchen](https://www.instagram.com/crux.kitchen)

CRUX is a trademark of 8479950 Canada Inc.
All rights reserved.